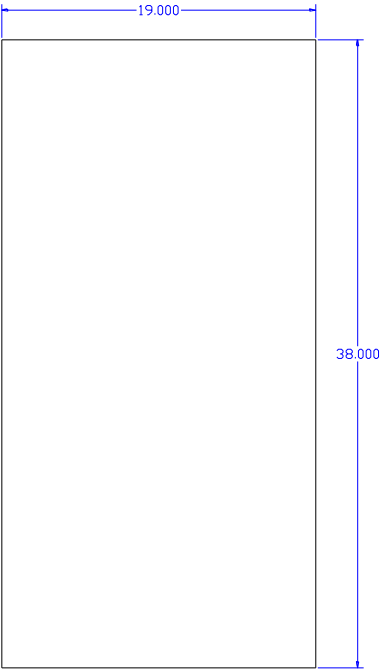


How to make a Roman Army Loculus

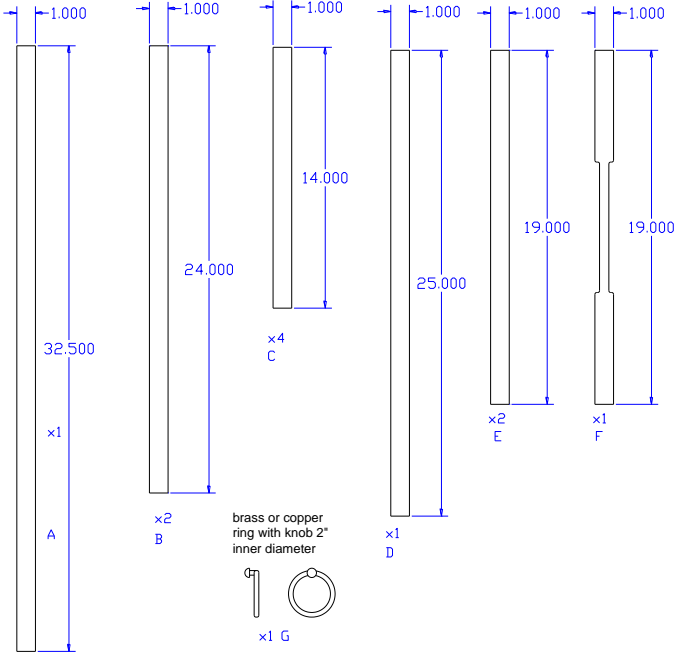
Version 1
By R. Norton

Start with a good piece of 2 to 3 oz leather about 25" x 40". **Note:** If you wish a more authentic look, put a coating of Neatsfoot oil on it, and allow the leather to dry prior to building.



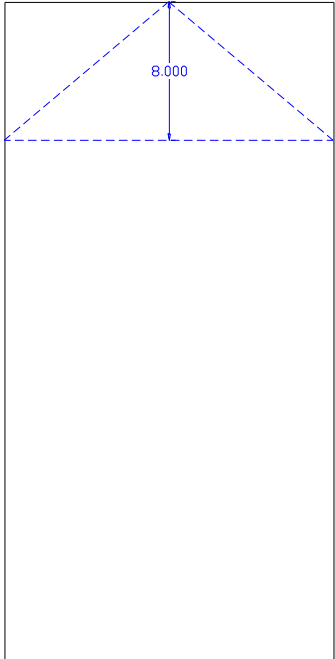
Cut a piece out according to the drawing.

With the remaining leather, cut out the following pieces.

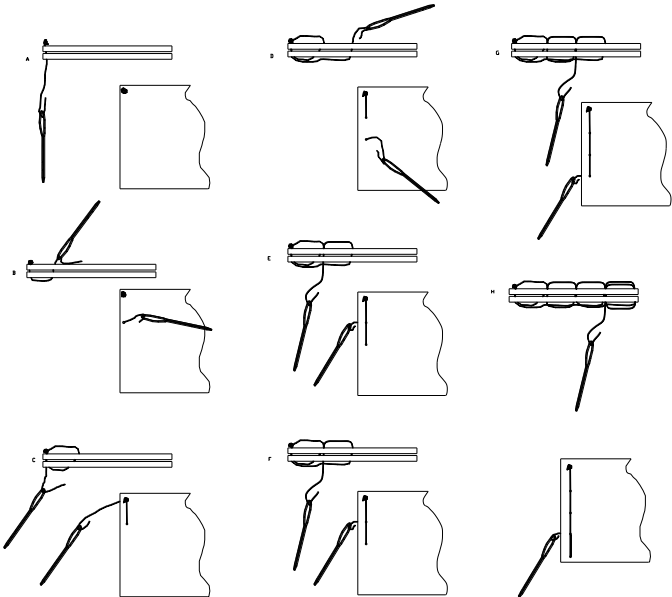


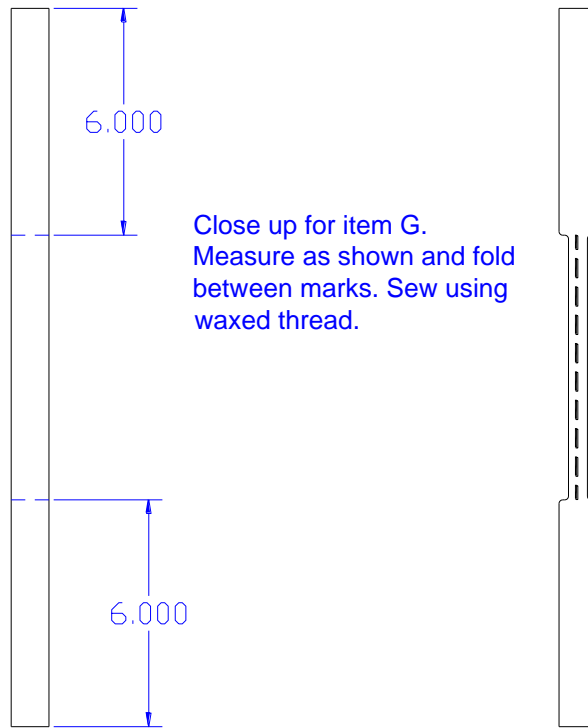
Try to find a brass ring as shown in the sketch (see the photographs at the end of the document).

Take the first large piece you cut. Measure as shown and cut away.

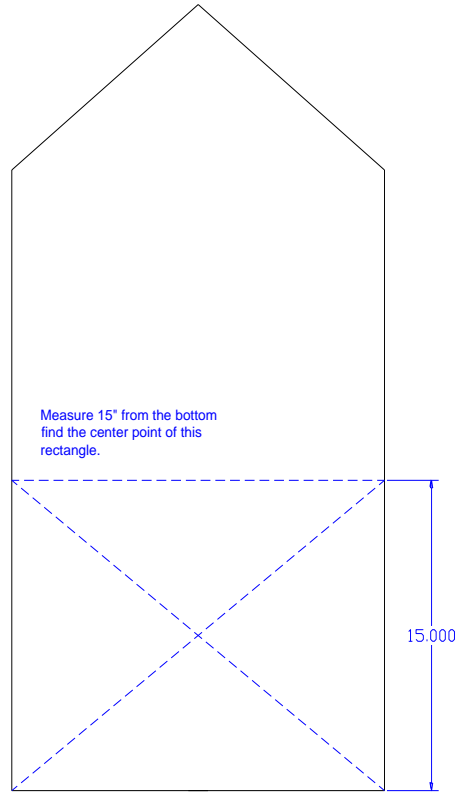


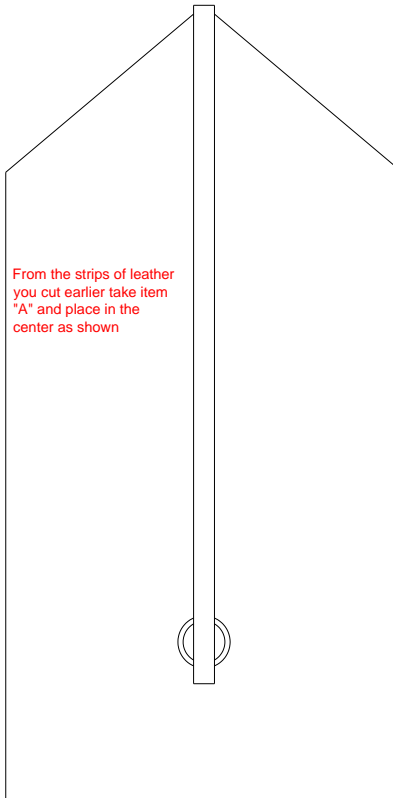
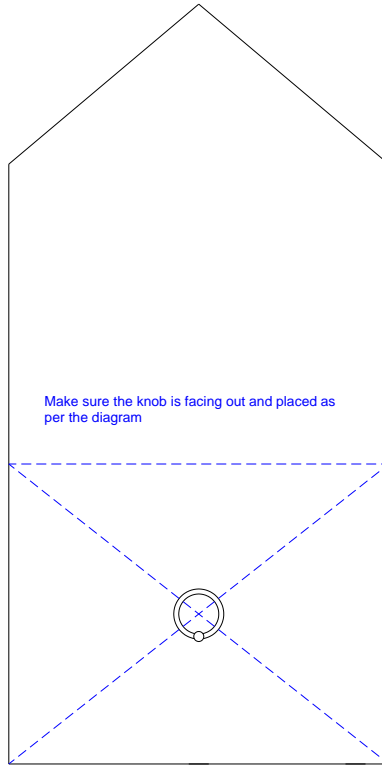
Here is a brief tutorial on how to do the backloop stitch required for the handle.

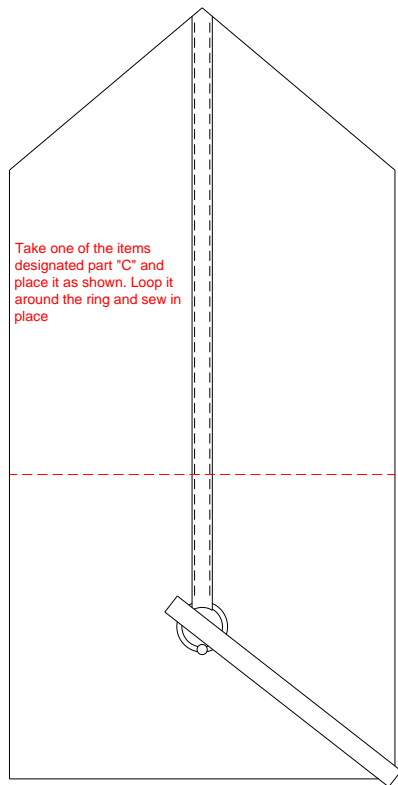
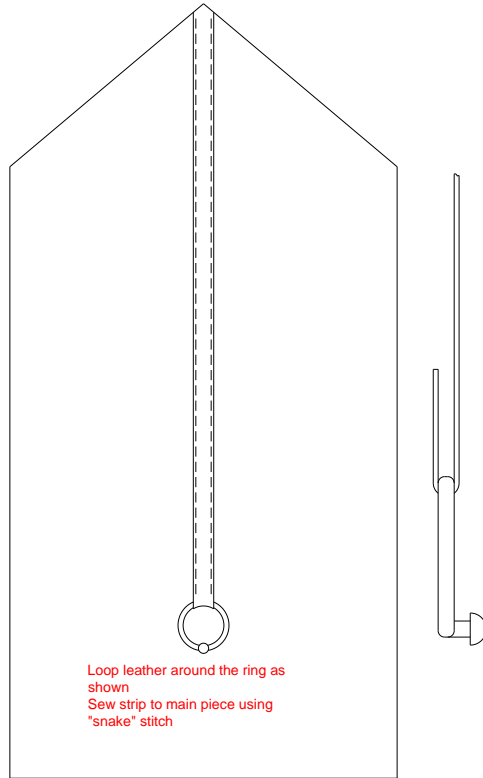


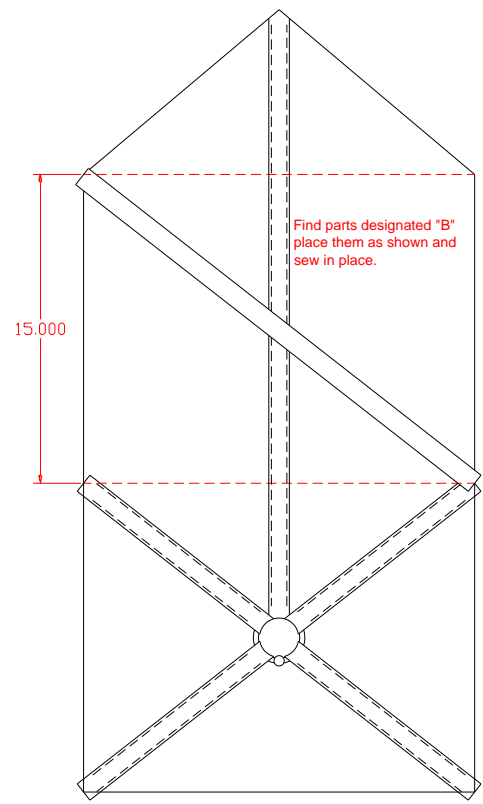
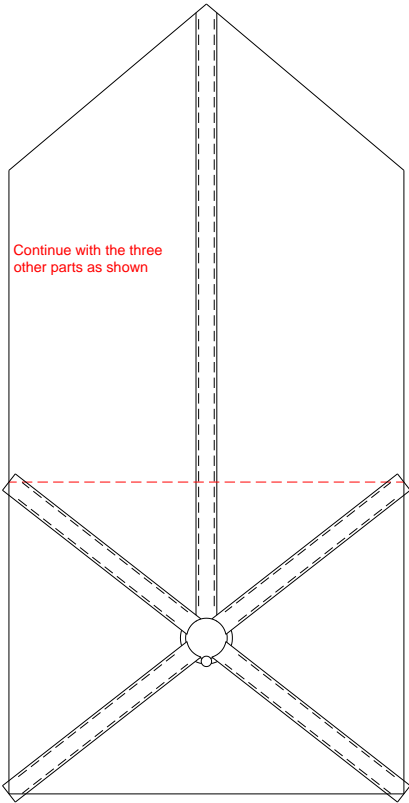


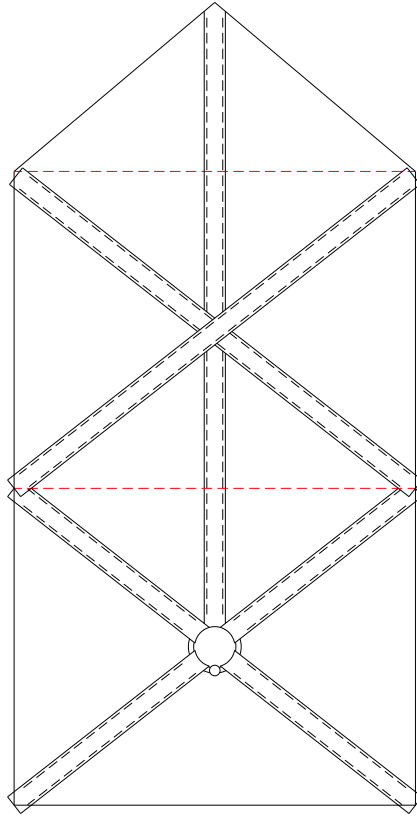
Measure as shown and mark in a way that will not show on the finished product.



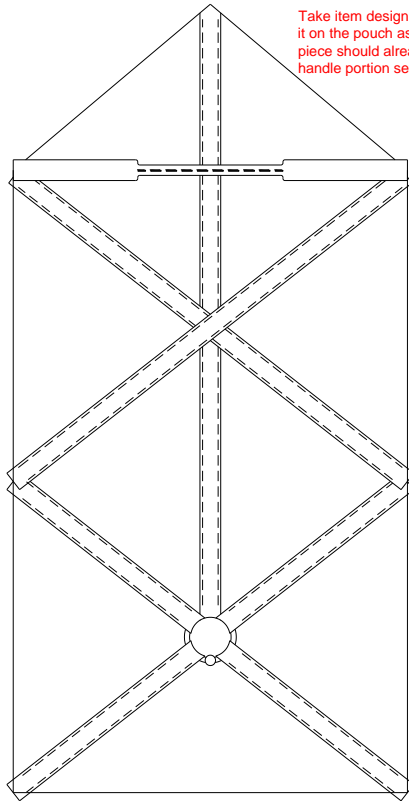




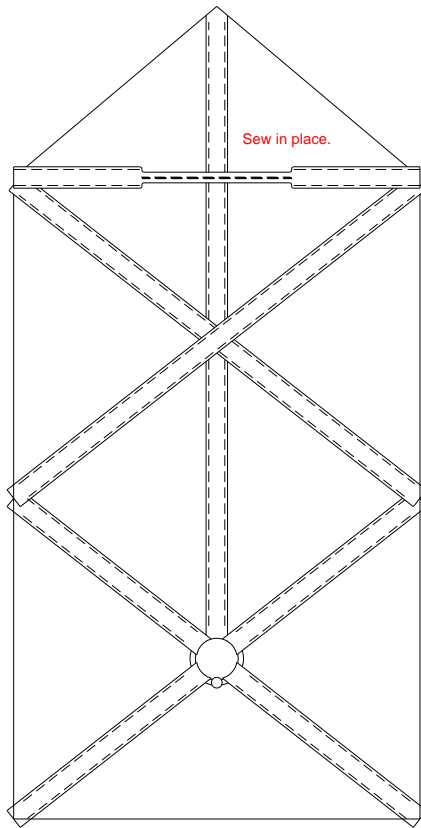




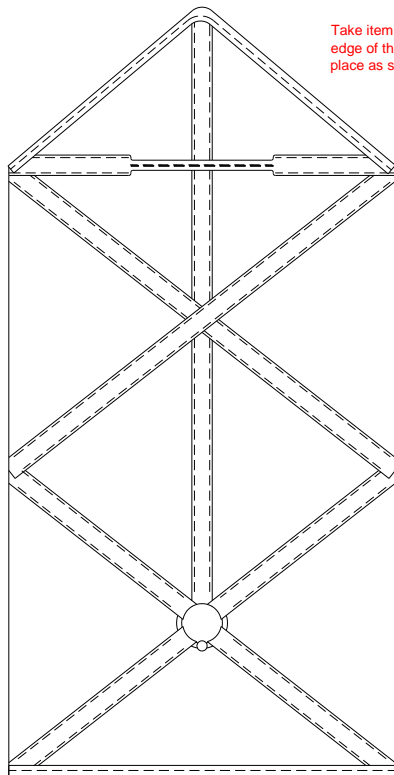
Parts should look like the diagram. Try to keep the crossover centered



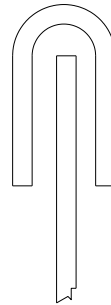
Take item designated "F" and place it on the pouch assembly. This piece should already have the handle portion sewn.



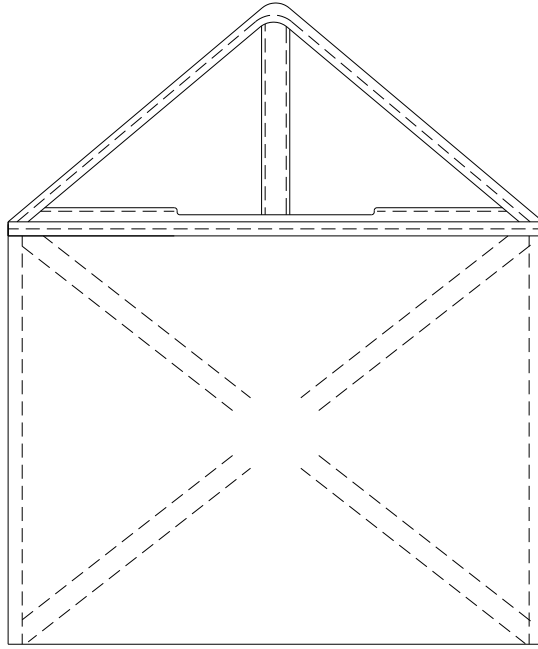
Sew in place.



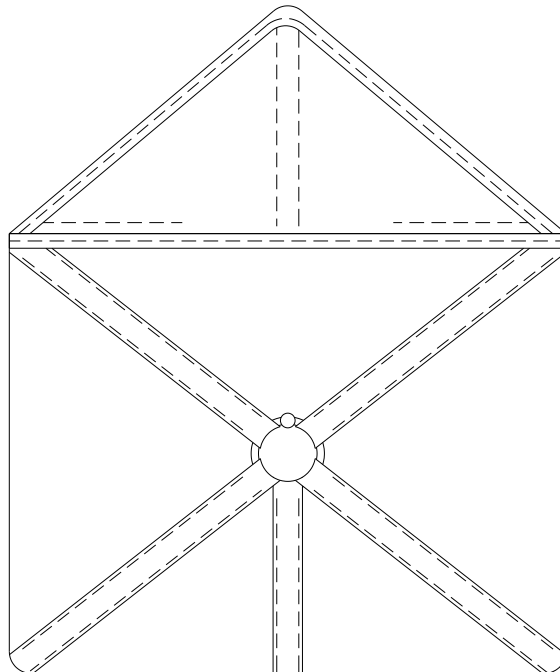
Take item "E" and fold it over the edge of the leather. Sew it in place as shown.



Take item "F" and fold it over the edge of the leather. Sew it in place as shown.

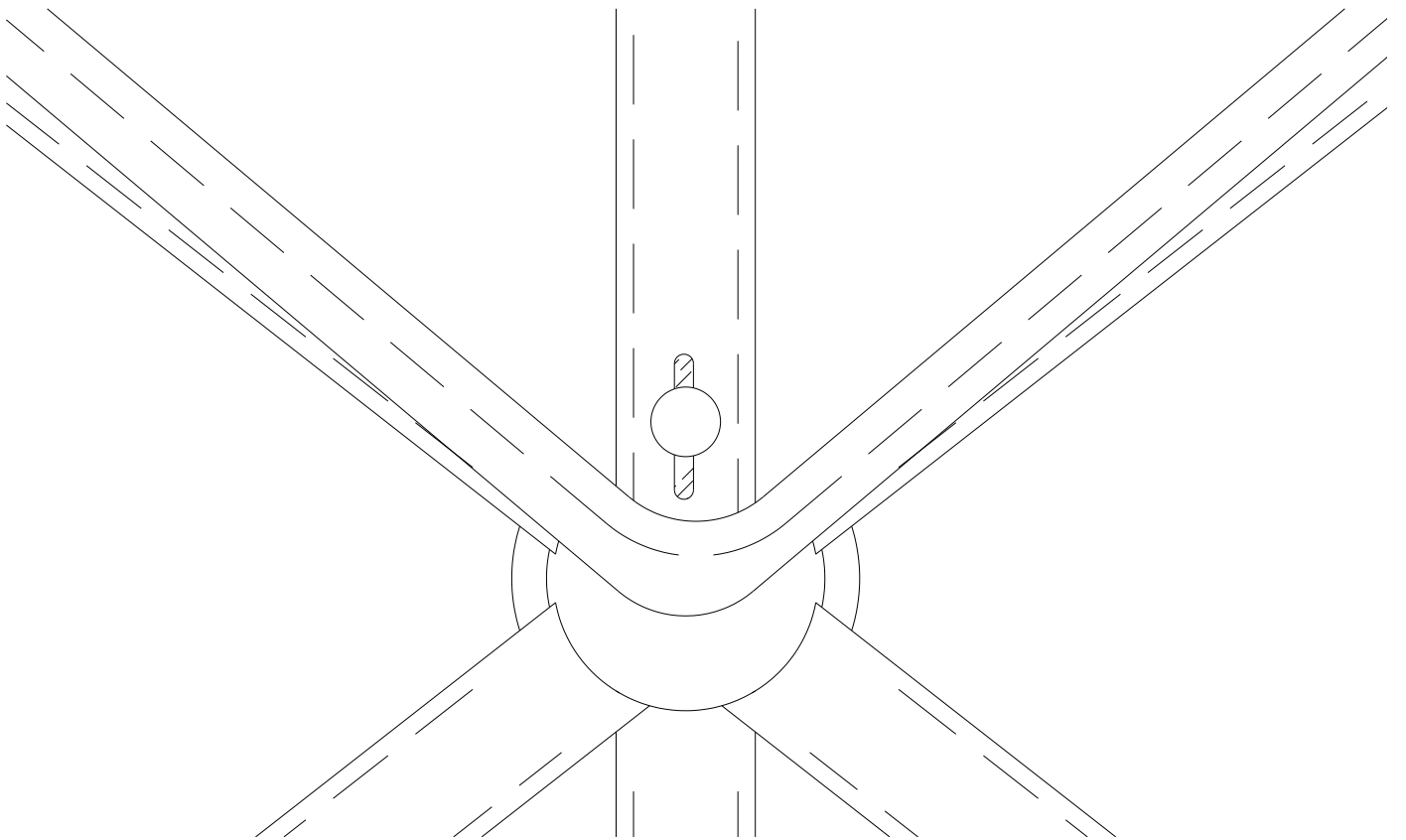
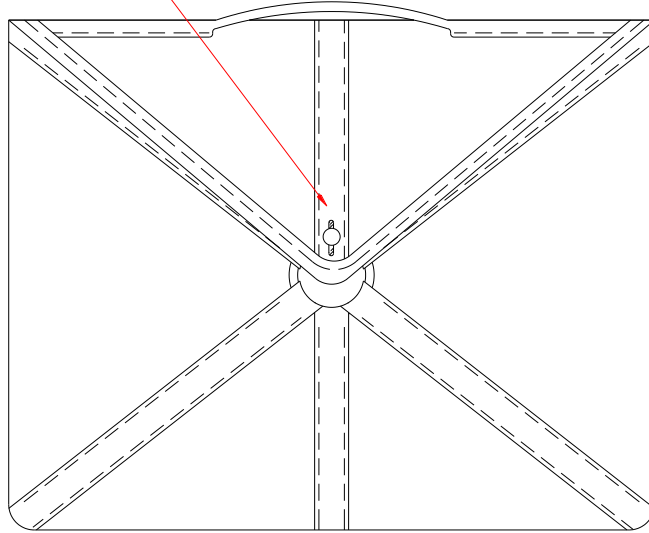


fold the bag up so that the straps are on the inside. The bag should look something like this.
Measure in $\frac{1}{2}$ " and sew the sides together again using the snake stitch.

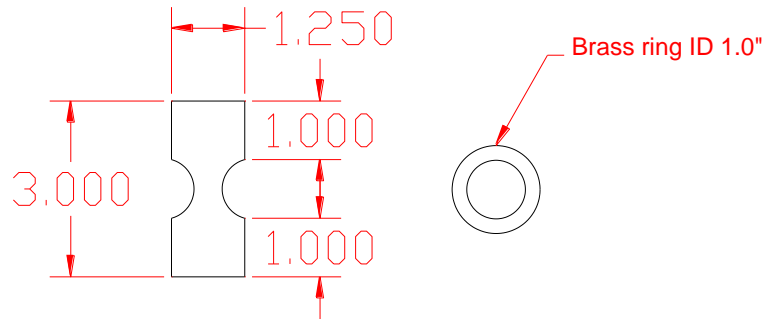


Turn bag inside out. The bag should look something like this.

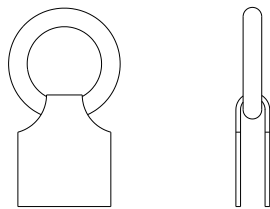
Fold top flap down and mark where the knob on the ring meets the leather. Cut a slot no more than $\frac{3}{4}$ " and about $\frac{1}{32}$ " wide. This will allow you to secure the flap of the bag in place.

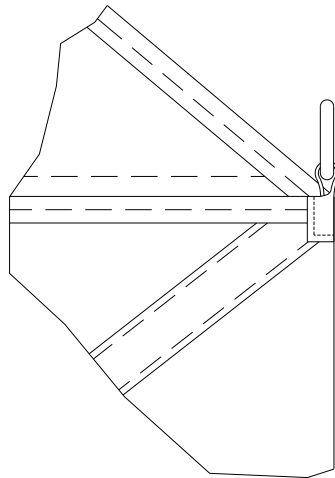


Take a piece of 8 oz leather, and cut a strip 1" wide and make it long enough to be used as a shoulder strap.
Take another piece of leather 6 oz and cut two 1" by 3" pieces.

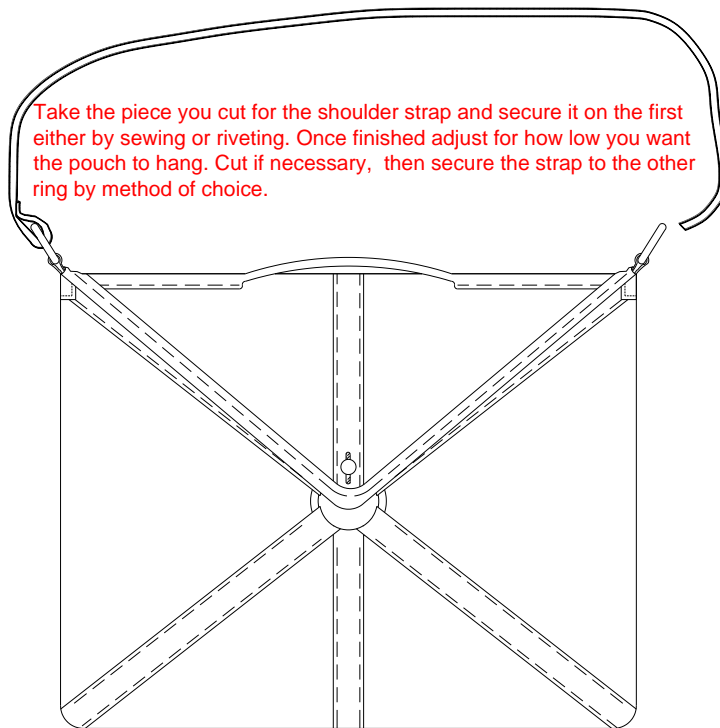


Take one of the pieces that has been trimmed to fit the ring and place it over the ring as shown.



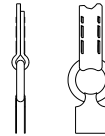


Open the flap and place the ring assembly on the corner as shown. Stitch into place, making sure the ring will move freely. Repeat this step for the other side of the pouch.

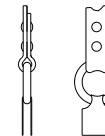


Take the piece you cut for the shoulder strap and secure it on the first either by sewing or riveting. Once finished adjust for how low you want the pouch to hang. Cut if necessary, then secure the strap to the other ring by method of choice.

You may sew the strap



Or a Brass rivet may also be used.



Here is a picture of what the centre brass ring should look like.

